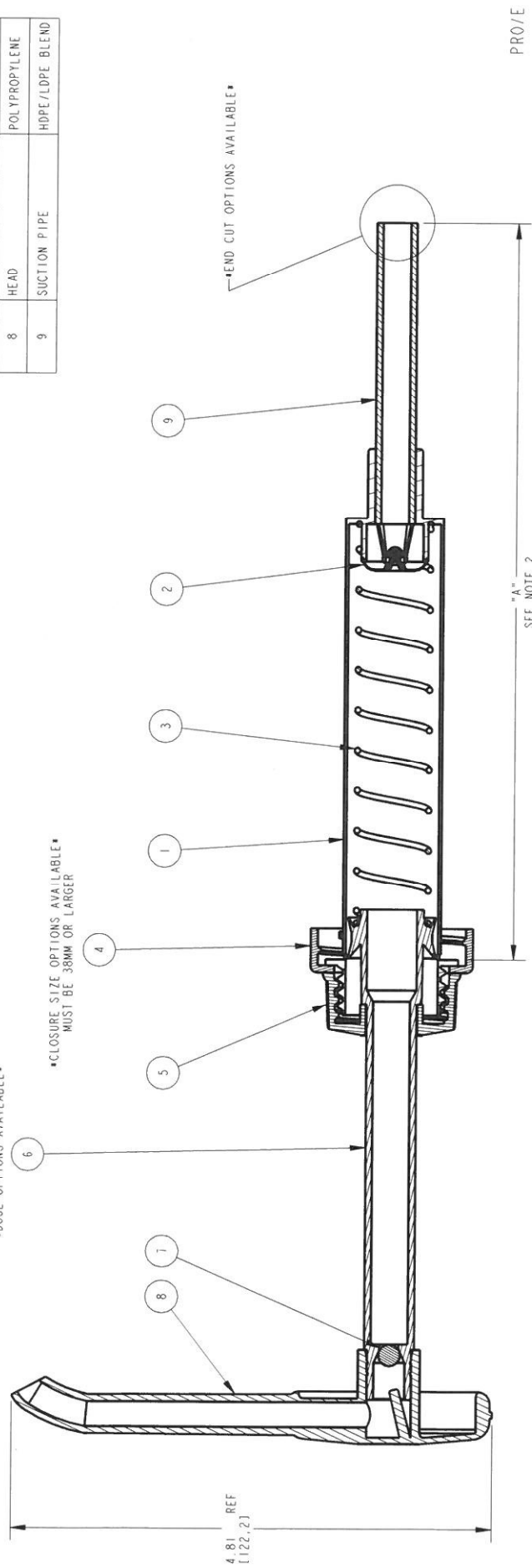


INDEX	DESCRIPTION	MATERIAL
1	BODY	POLYPROPYLENE
2	UMBRELLA VALVE	NITRILE RUBBER
3	SPRING	STAINLESS STEEL
4	CLOSURE	POLYPROPYLENE
5	COLLAR	POLYPROPYLENE
6	PLUNGER	HDPE
7	BALL	POLYPROPYLENE
8	HEAD	POLYPROPYLENE
9	SUCTION PIPE	HDPE/LDPE BLEND



NOTES:  
1) DIMENSIONS ARE IN INCHES (MILLIMETERS)  
2) DIMENSION "A" PER CUSTOMER SPECIFICATION

BREAK ALL SHARP EDGES WITH 1/64" RADIUS UNLESS OTHERWISE SPECIFIED	DATE	DRAWN BY
THE FOLLOWING TOLERANCES APPLY UNLESS OTHERWISE SPECIFIED:	09-OCT-12	JLK
ANGLES: ±1/4°	SCALE	CHECKED
X.XX (X.X)	1	APPROVED
X.XXX (X.XX)		

CHANGE NUMBER	CHANGE	DATE	BT
THIS DOCUMENT AND ITS CONTENTS DISCLOSE INFORMATION THAT IS THE PROPERTY OF RIECK PACKAGING SYSTEMS. NEITHER POSSESSION OR RECEIPT OF THIS DOCUMENT, OR THE INFORMATION CONTAINED THEREIN, GIVES ANY RIGHT TO REPRODUCE, USE, OR DISCLOSE ANY PART OF ITS CONTENT EXCEPT BY WRITTEN AUTHORIZATION FROM RIECK PACKAGING SYSTEMS.			

Rieck Corporation — Auburn, Indiana	
TITLE	R30 GENERAL ASSEMBLY
PRODUCT	R30 PUMP
DRAWING NUMBER	28002986
MFG LOCATION	AUBURN
MATERIAL	TEMPER N/A
DETAIL NUMBER	R30-6A